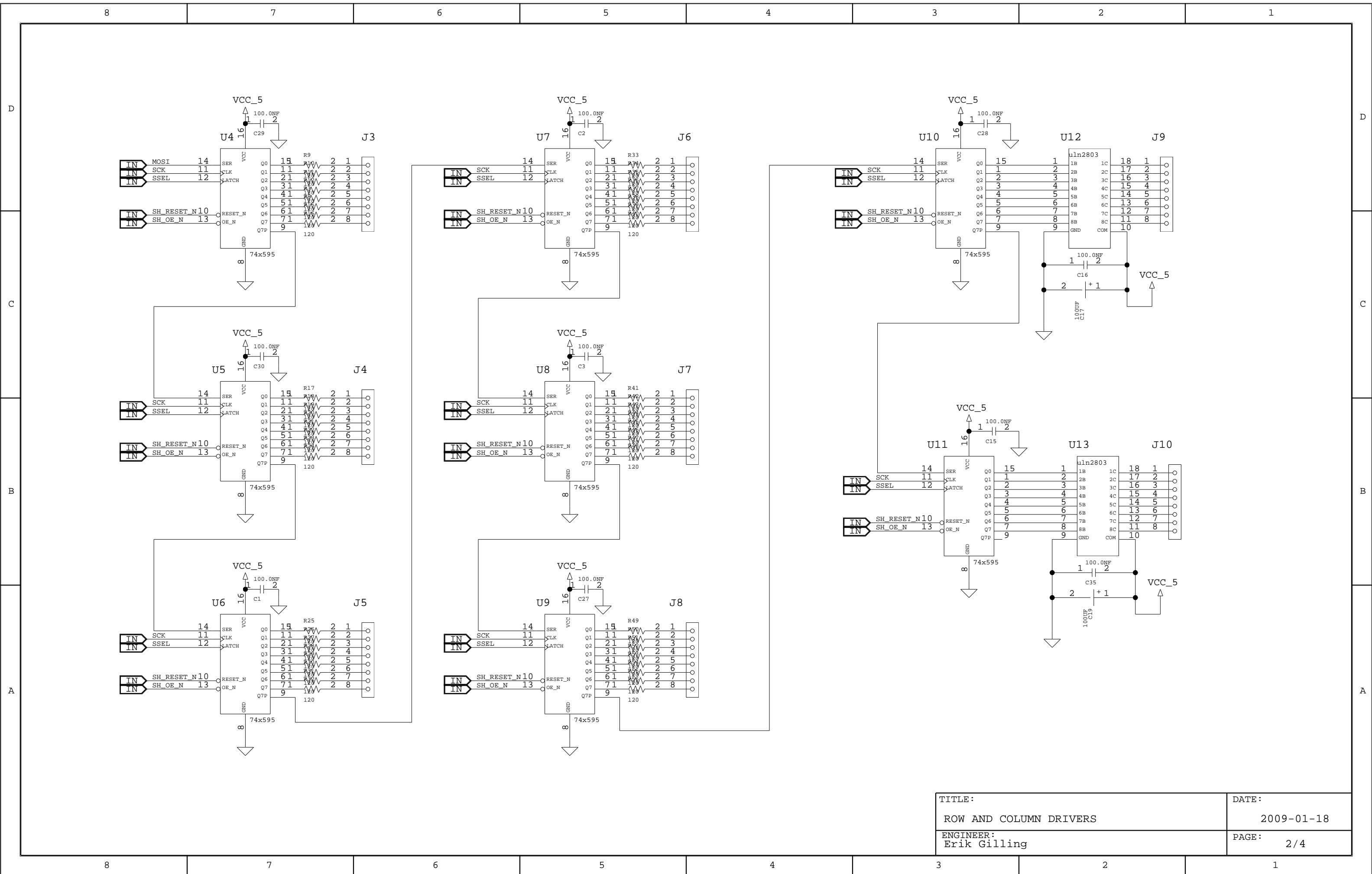
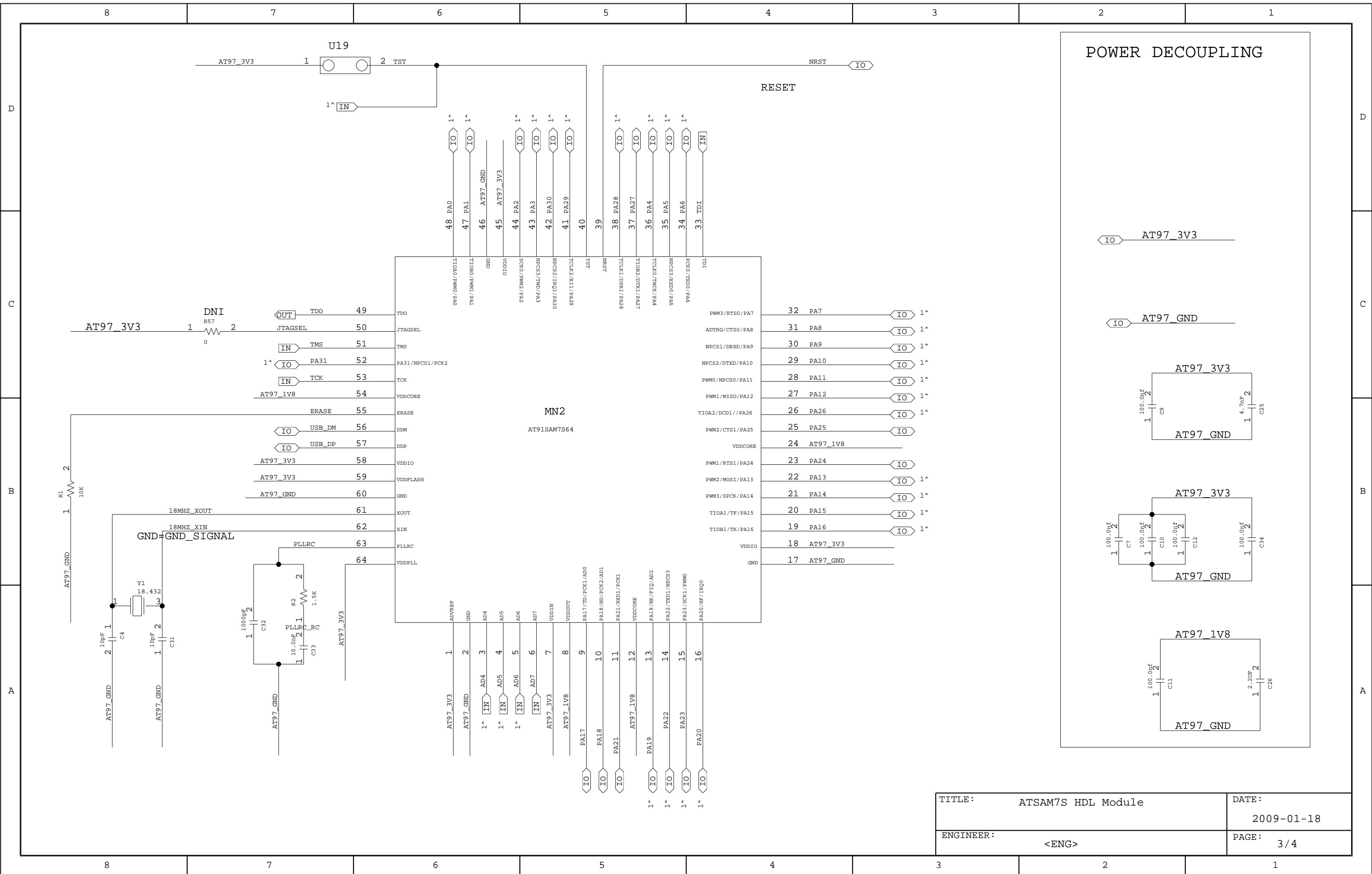


TITLE: MICROCONTROLLER AND INTERFACE	DATE: 2009-01-18
ENGINEER: Erik Gilling	PAGE: 1/4

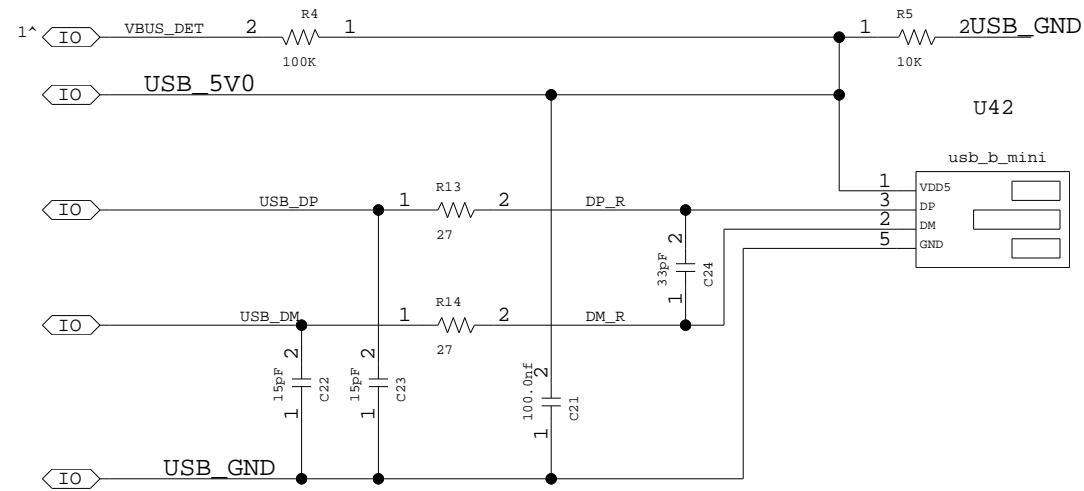


TITLE:	DATE:
ROW AND COLUMN DRIVERS	2009-01-18
ENGINEER:	PAGE:
Erik Gilling	2/4

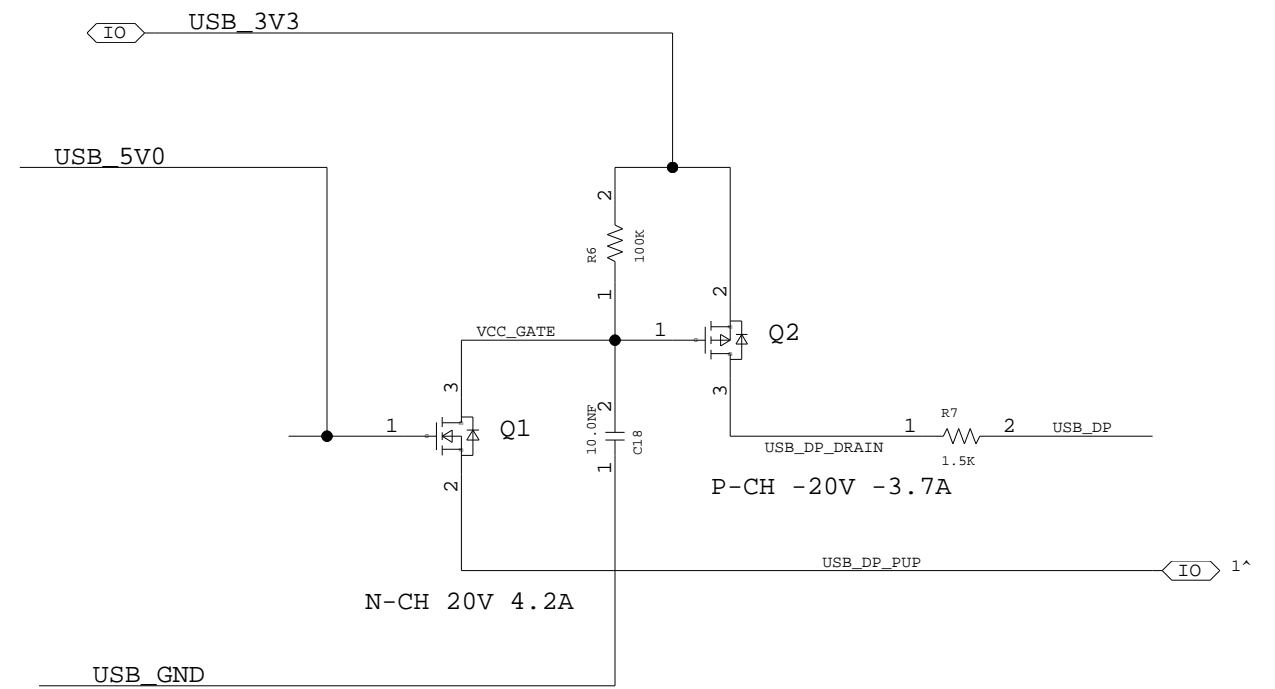


TITLE:	ATSAM7S HDL Module	DATE:	2009-01-18
ENGINEER:	<ENG>	PAGE:	3/4

# USB CONNECTOR



# USB PULLUP



TITLE:	USB	DATE:	2009-01-18
ENGINEER:	<ENG>	PAGE:	4/4